

8 7 6 5 4 3 2 1

SYSTEM MONITOR BOARD

REVISION HISTORY

- 00 - PRE-LAYOUT SCHEMATIC
- 01 - POST LAYOUT CHANGES/PIN NUMBERS
- 02 - AFTER DIGITIZE CHECK PRINTS
- 03 - CORRESPONDS TO ECN LEVEL A. 4
- B. 0 - NEW PCB LAYOUT
- B. 1 AFTER INITIAL CHECKOUT OF REV B. 0 LAYOUT
- C. 01 - MINOR ARTWORK CHANGES - EQUIVALENT TO B. 1 EXCEPT
SPARE GATE CORRECTIONS ON SHEET 7

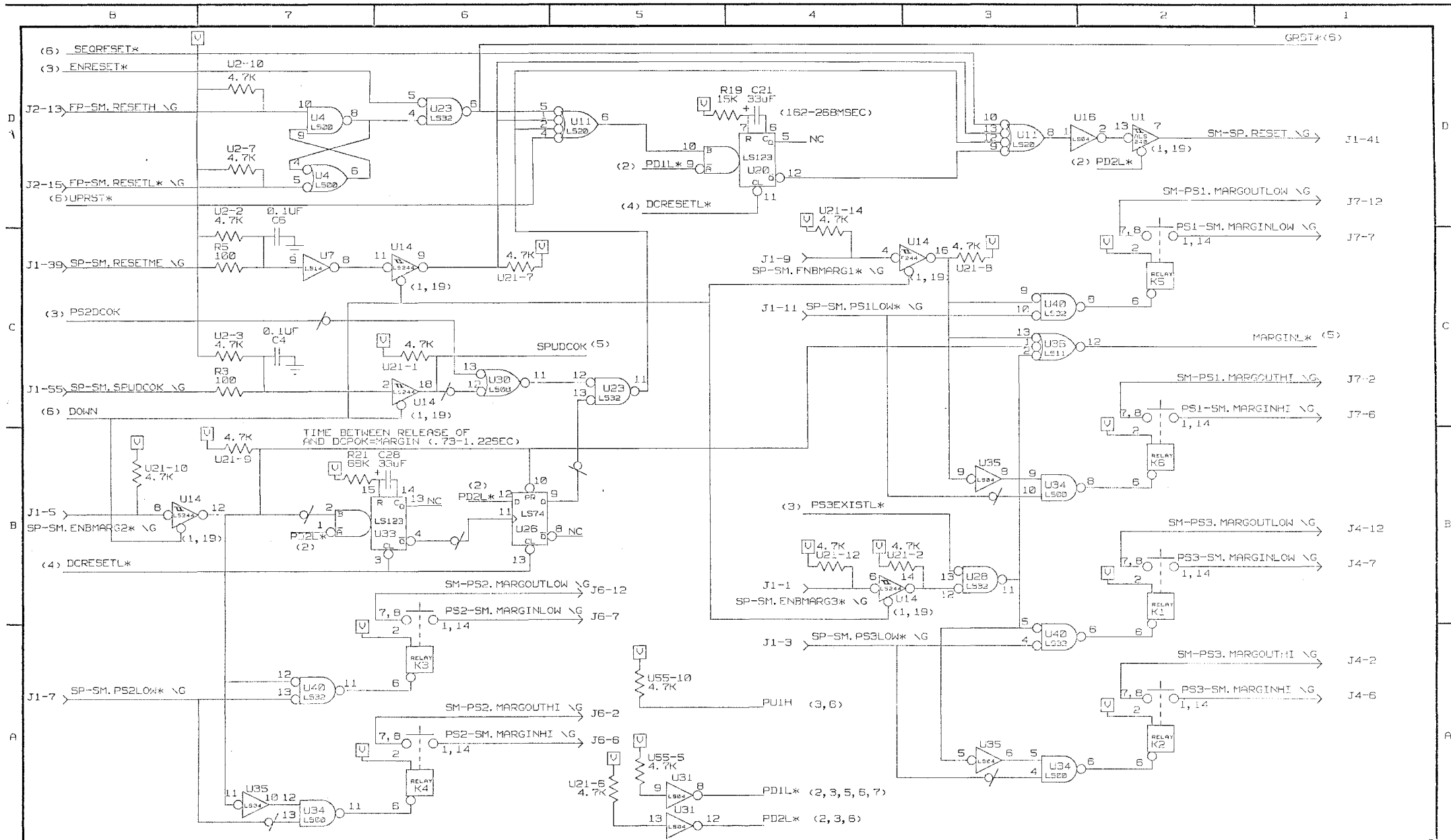
THIS DOCUMENT CONTAINS INFORMATION PROPRIETARY TO CONVEX COMPUTER CORPORATION (CONVEX). USE OR DISCLOSURE WITHOUT THE WRITTEN PERMISSION OF AN OFFICER OF CONVEX IS EXPRESSLY FORBIDDEN. COPYRIGHT (C) CONVEX 1984



CONVEX

TITLE: SYSTEM MONITOR BOARD	ABBR: SMB
DRAWING: 411-000103-300 REV C.01	ENGR: KIMMEL
REVISED: Thu Dec 13 13:34:03 1984	PAGE: 1 OF 8

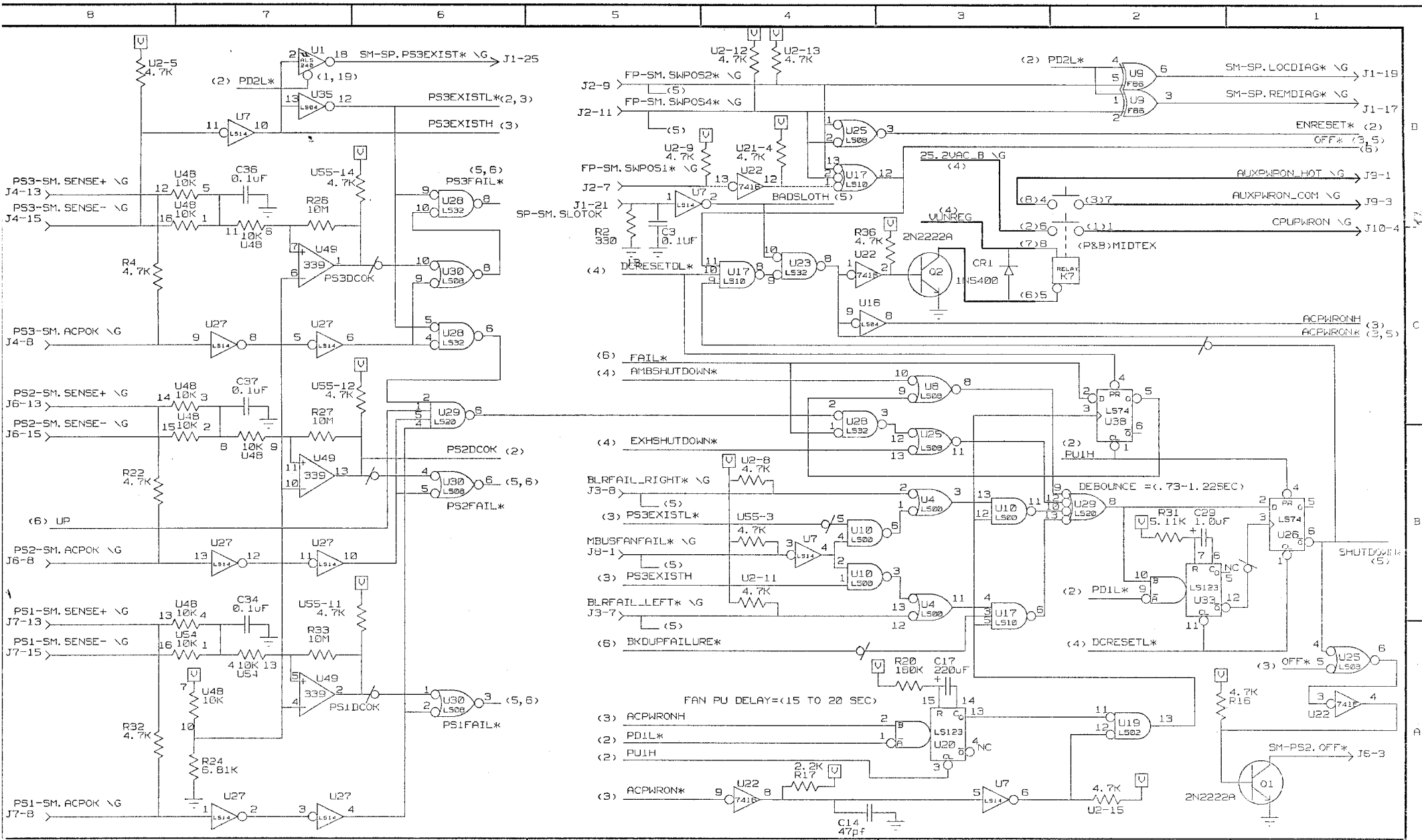
8 7 6 3 2 1



THIS DOCUMENT CONTAINS INFORMATION PROPRIETARY TO CONVEX COMPUTER CORPORATION (CONVEX). USE OR DISCLOSURE WITHOUT THE WRITTEN PERMISSION OF AN OFFICER OF CONVEX IS EXPRESSLY FORBIDDEN. COPYRIGHT (C) CONVEX 1984



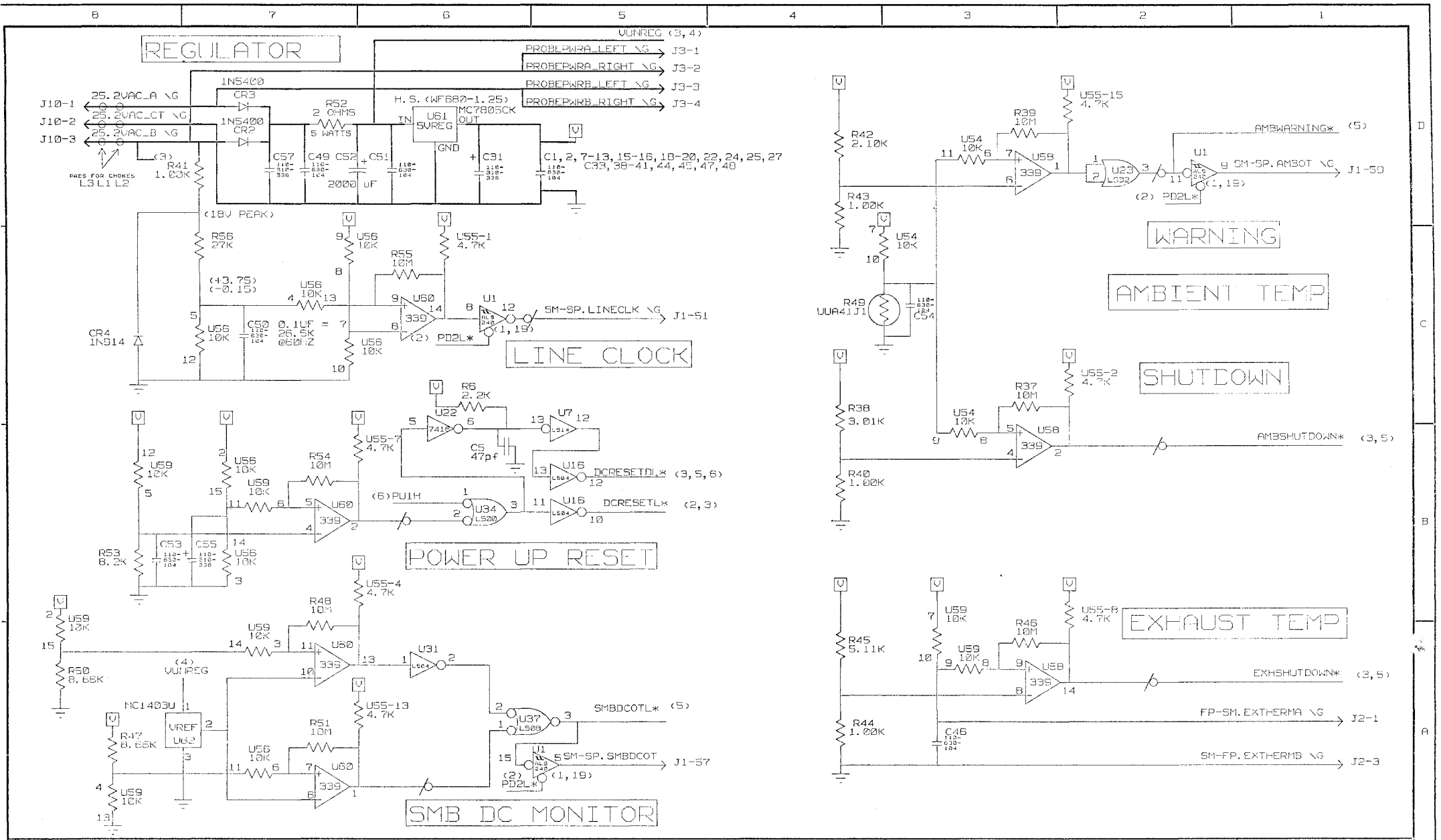
TITLE: SMB MARGIN AND RESET		AFBR: SMB
DRAWING: 411-00010B-300 REV C.01		FNDR: KIMMEL
REVISED: Thu Dec 13 13:25:06 1984	PAGE: 2 OF 8	



THIS DOCUMENT CONTAINS INFORMATION PROPRIETARY TO CONVEX COMPUTER CORPORATION (CONVEX). USE OR DISCLOSURE WITHOUT THE WRITTEN PERMISSION OF AN OFFICER OF CONVEX IS EXPRESSLY FORBIDDEN. COPYRIGHT (C) CONVEX 1984



TITLE: SMB PSMON ACON SHUTDOWN	ABBR: SMB
DRAWING: 411-00010B-300 REV C.01	ENGR: KIMMEL
REVISED: Thu Dec 13 13:26:44 1984	PAGE: 3 OF 8



THIS DOCUMENT CONTAINS INFORMATION PROPRIETARY TO CONVEX COMPUTER CORPORATION (CONVEX). USE OR DISCLOSURE WITHOUT THE WRITTEN PERMISSION OF AN OFFICER OF CONVEX IS EXPRESSLY FORBIDDEN. COPYRIGHT (C) CONVEX 1984



CONVEX

TITLE: SMB BUNCH OF COMPARATORS

DRAWING: 411-000108-300 REV C.01

REVISED: Thu Dec 13 13:27:46 1984

REBR: SMB

ENGR: KIMMEL

PAGE: 4 OF 8

B

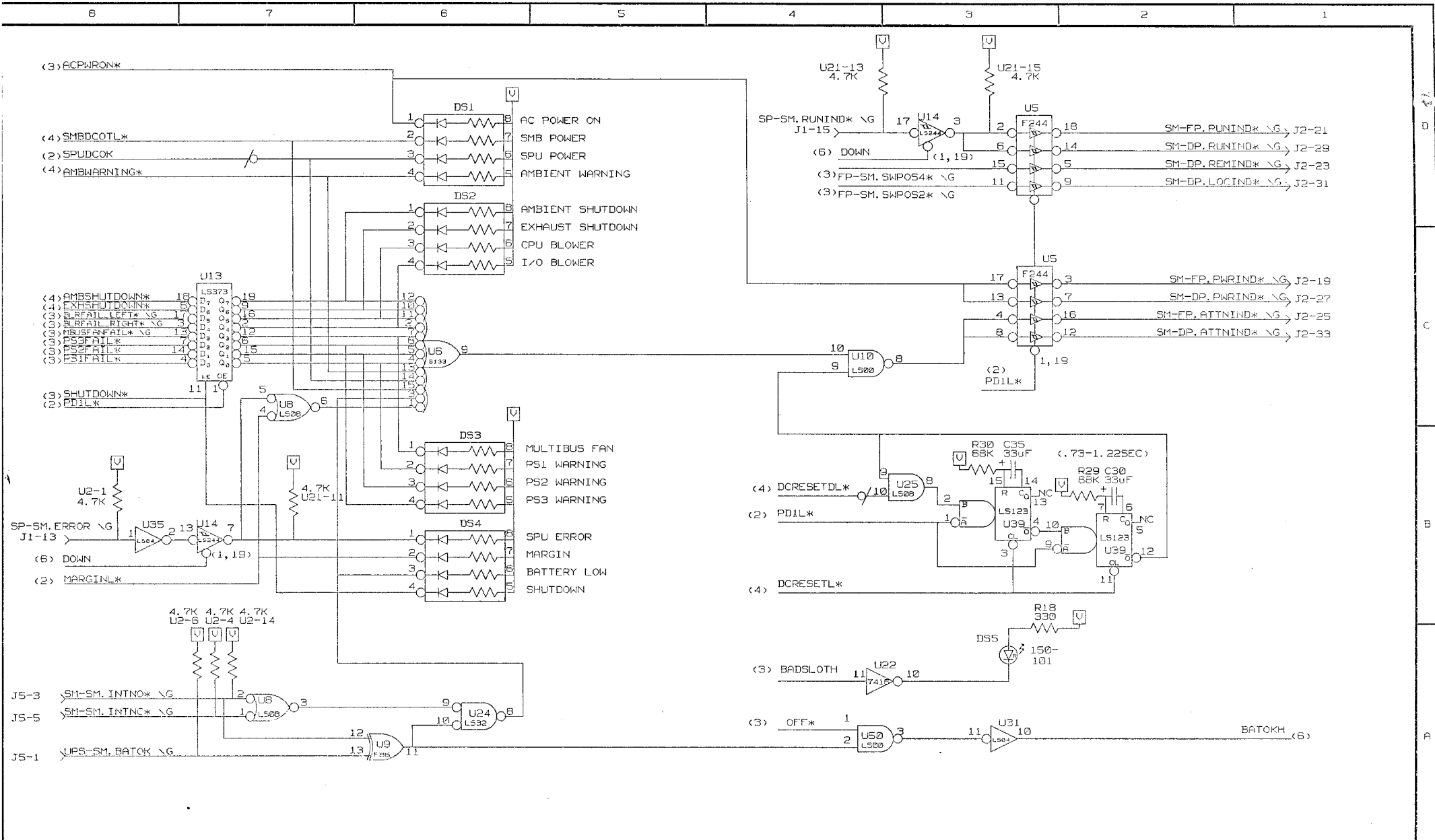
7

6

3

2

1

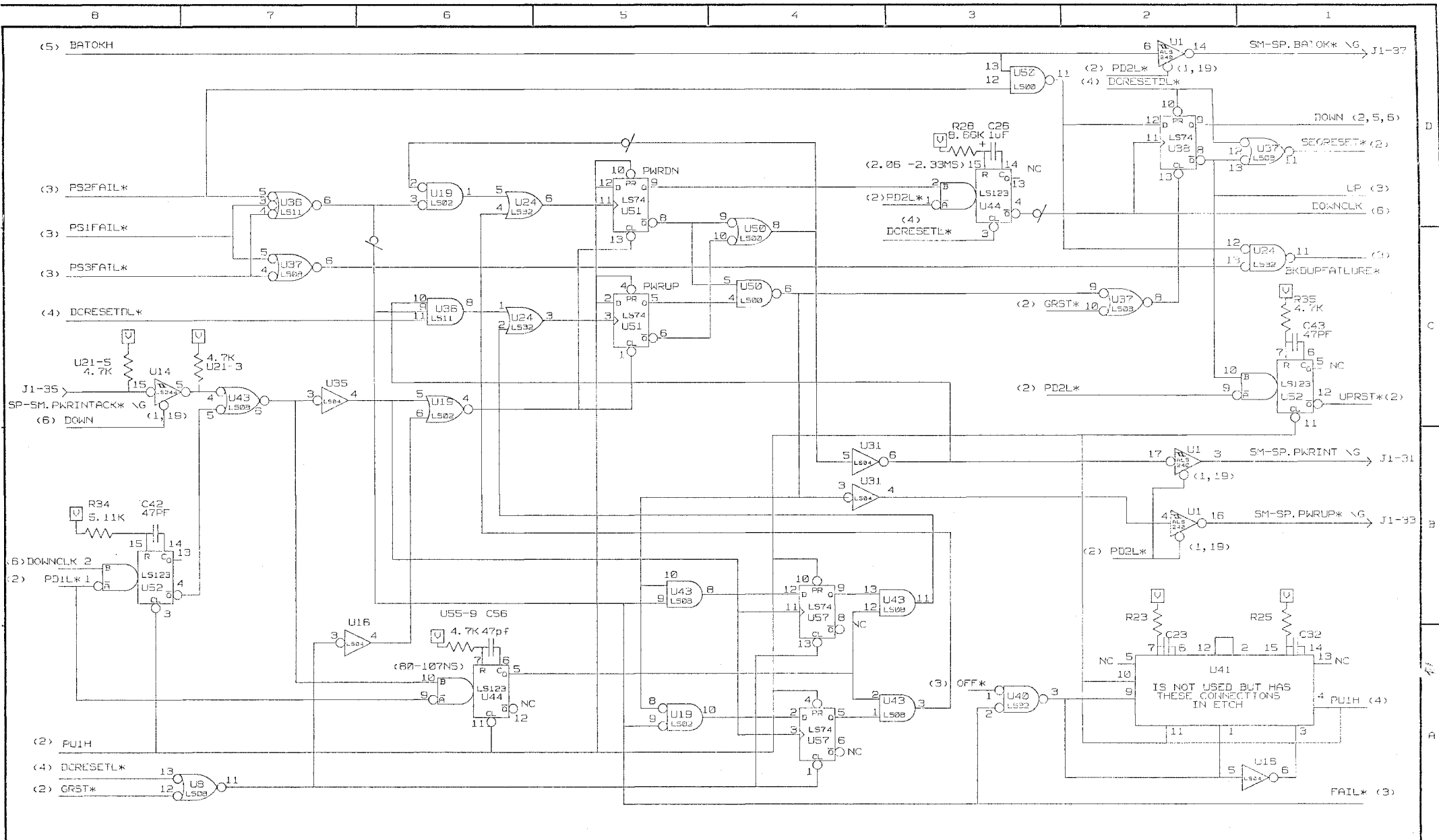


THIS DOCUMENT CONTAINS INFORMATION PROPRIETARY TO CONVEX COMPUTER CORPORATION (CONVEX). USE OR DISCLOSURE WITHOUT THE WRITTEN PERMISSION OF AN OFFICER OF CONVEX IS EXPRESSLY FORBIDDEN. COPYRIGHT (C) CONVEX 1984



CONVEX

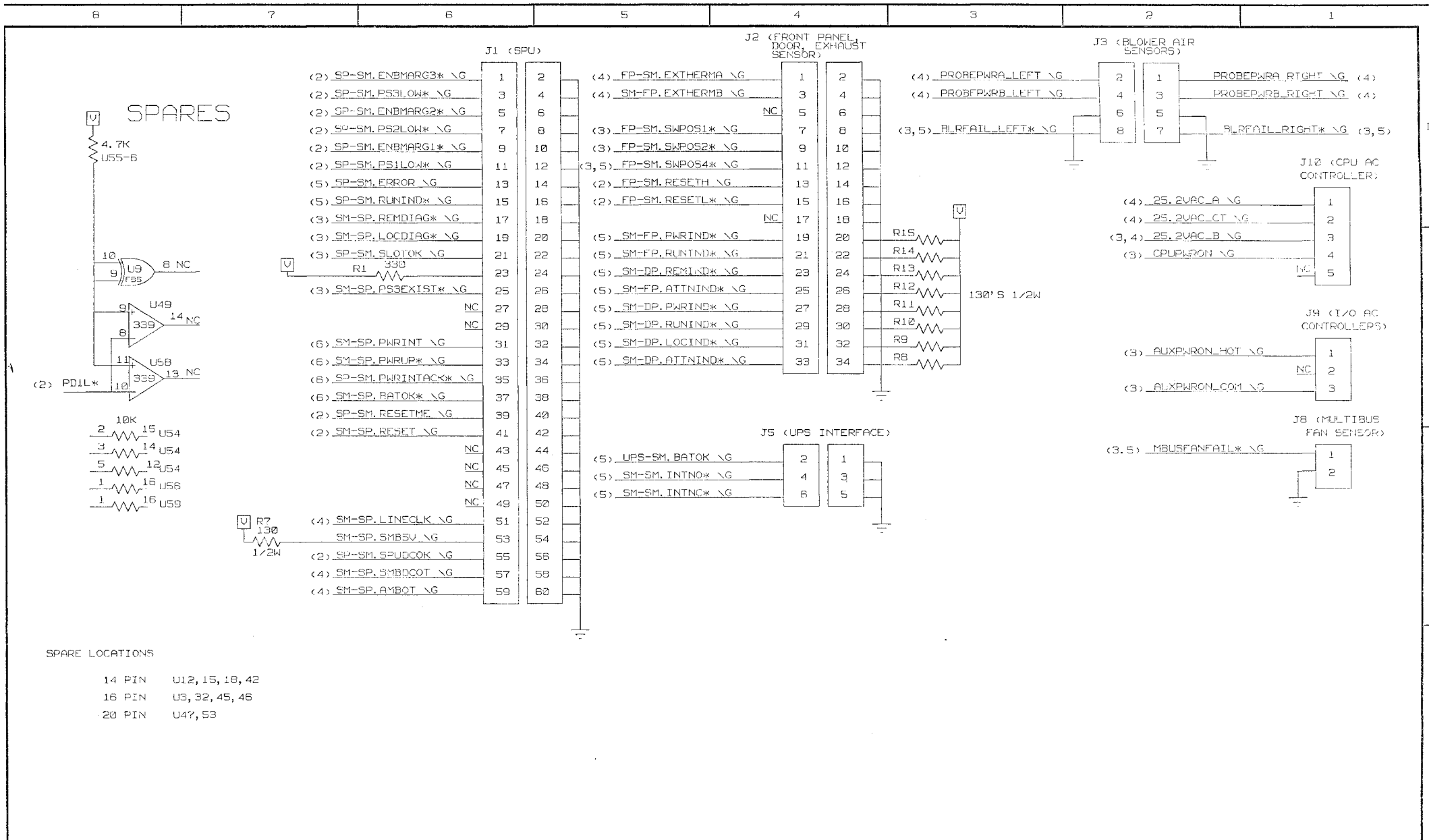
TITLE: SMB INDICATORS	ABBR: SMB
DRAWING: 411-000100-300 REV C.01	ENGR: KIMMEL
REVISED: Thu Dec 13 13:29:22 1984	PAGE: 5 OF 8



THIS DOCUMENT CONTAINS INFORMATION PROPRIETARY TO CONVEX COMPUTER CORPORATION (CONVEX). USE OR DISCLOSURE WITHOUT THE WRITTEN PERMISSION OF AN OFFICER OF CONVEX IS EXPRESSLY FORBIDDEN. COPYRIGHT (C) CONVEX 1984



TITLE: SMB POWER SEQUENCE	REBR: SPS
DRAWING: 411-200108-500 REV C.01	ENGR: KIMMEL
REVISED: Thu Dec 13 13:30:03 1984	PAGE: 5 OF 8



THIS DOCUMENT CONTAINS INFORMATION PROPRIETARY TO CONVEX COMPUTER CORPORATION (CONVEX). USE OR DISCLOSURE WITHOUT THE WRITTEN PERMISSION OF AN OFFICER OF CONVEX IS EXPRESSLY FORBIDDEN. COPYRIGHT (C) CONVEX 1984



CONVEX

TITLE: SMB SPARES AND CONNECTORS

DRAWING: 411-000100-300 REV C.01

REVISED: Thu Dec 13 13:31:26 1984

PAGE:

ADDR: SMB

ENGR: KIMMEL

7 OF 8